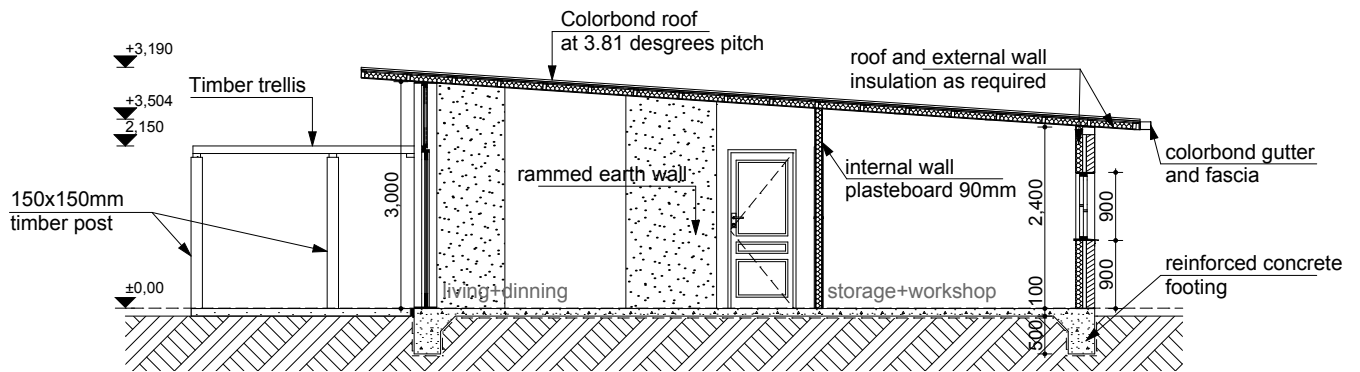
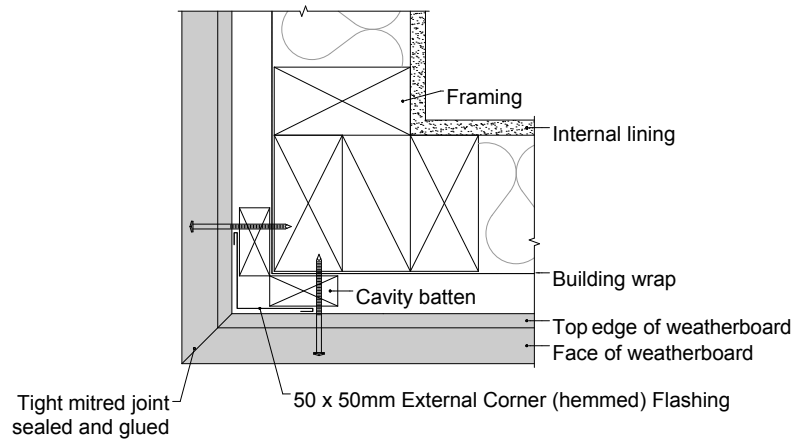


Section A-A'
scale 1:100



External wall corner detail
scale 1:5



External wall - base of wall detail
(concrete slab placed on ground)
scale 1:5

